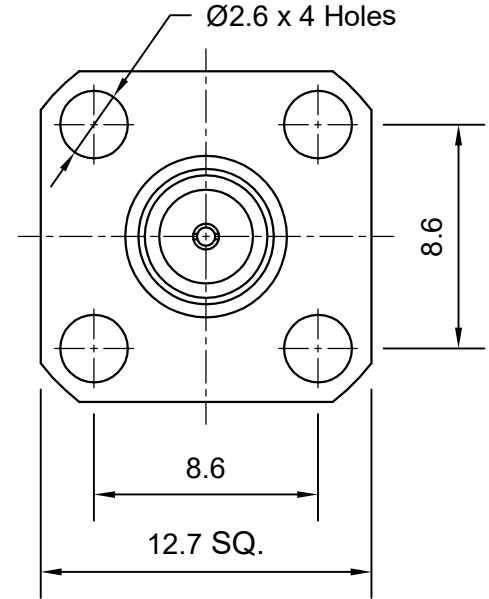
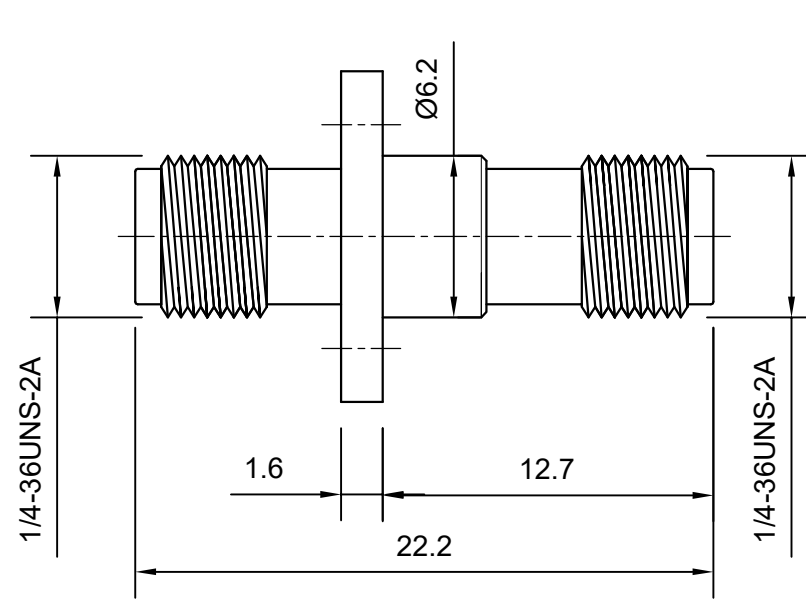


RevNo	Revision note	Date	Signature	Checked



TECHNICAL DATA

Type	Adapter
Orientation	Straight
Impedance (Ohms)	50
Adapter Side 1	SMA
Side 1 Gender	Jack
Adapter Side 2	SMA
Side 2 Gender	Jack
Body Finish	Gold
Body Material	Brass
Contact Finish	Gold
Contact Material	Beryllium Copper
Insulator Material	PTFE
Max. Frequency (GHz)	18
Mounting Feature	4 Hole Flange
Min. Temp. (Celsius)	-65
Max. Temp. (Celsius)	165
Weight (Grams)	4.2

FILE PATH: D:\VINSUR\DRAWINGS -- VINSUR\ADAPTERS\SMA - SMA

FILE NAME: ADAPTER - SMA Female to SMA Female 4 Hole Flange - VSW-AD-043231-S.dwg

SIZE

DRAWN	VINAY 22.10.2018
CHECK	
APPR.	VINAY 22.10.2018
ISSUED	
REV	R0

SHEET	1 of 1	SCALE	NTS
RF ADAPTER			
SMA Female to SMA Female			
4 HOLE PANEL MOUNT TYPE			
DWG NO	VSW-AD-043231-S		